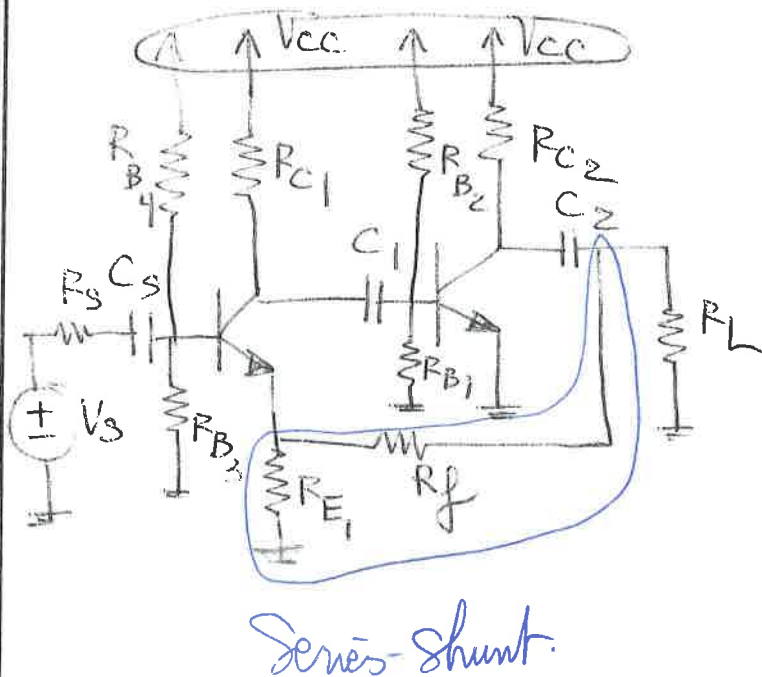
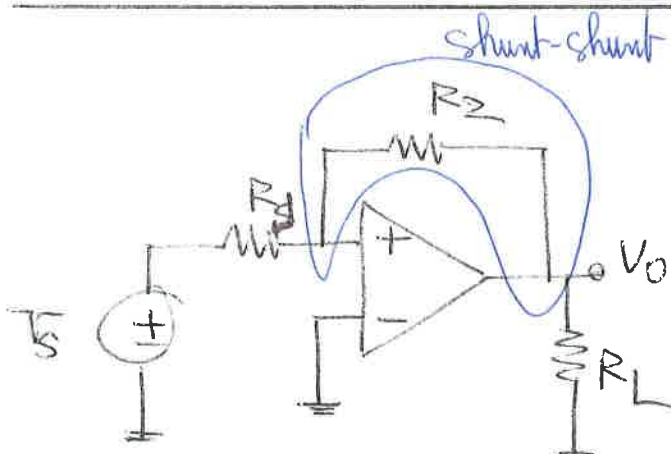
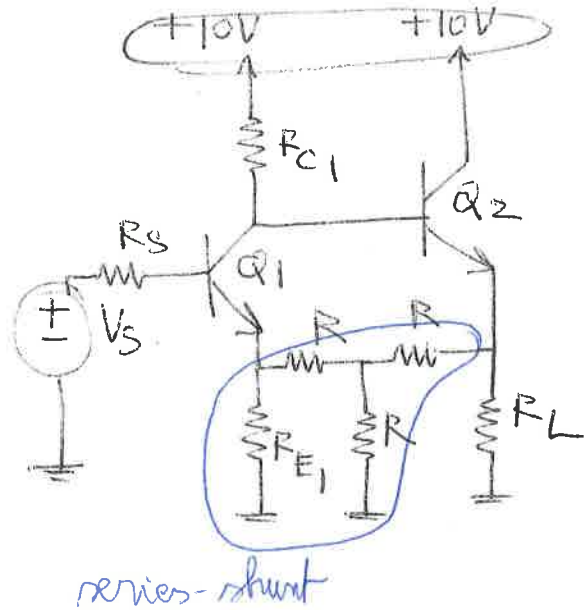
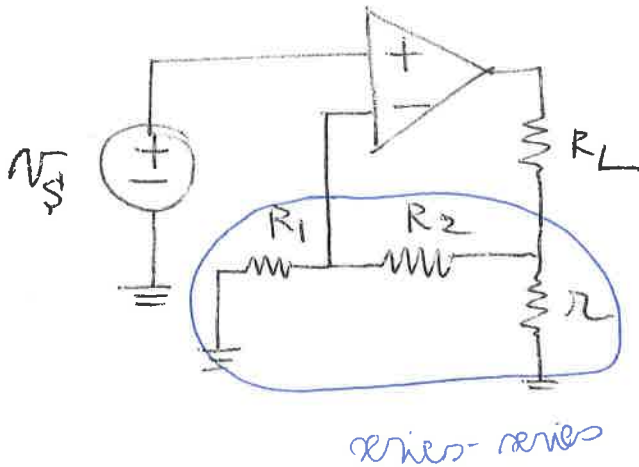


Name: SOLUTION

I. (20 pts): Feedback Loop and Feedback Network Identification

For the 4 networks below

- (a) Circle the feedback loop.
- (b) Identify next to each feedback amplifier which of the four feedback configuration you are dealing with, i.e. series-series, series-shunt, shunt-series, or shunt-shunt.



Quiz - May 2, 2011
ECE 352

NAME:

Identify the feedback configuration for the 4 circuits below and circle the feedback network.

