

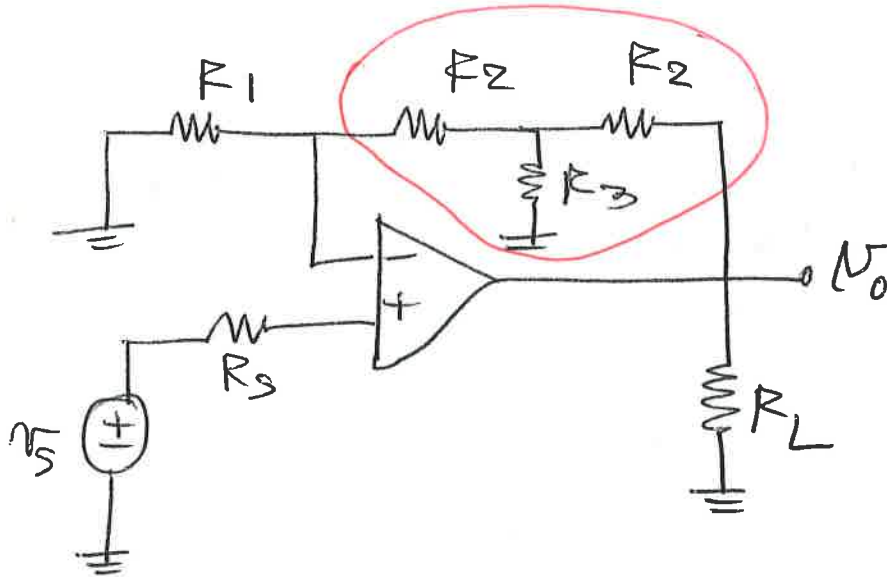
(20pts)

Quiz 3 - ECE 352
Spring 2012

NAME:

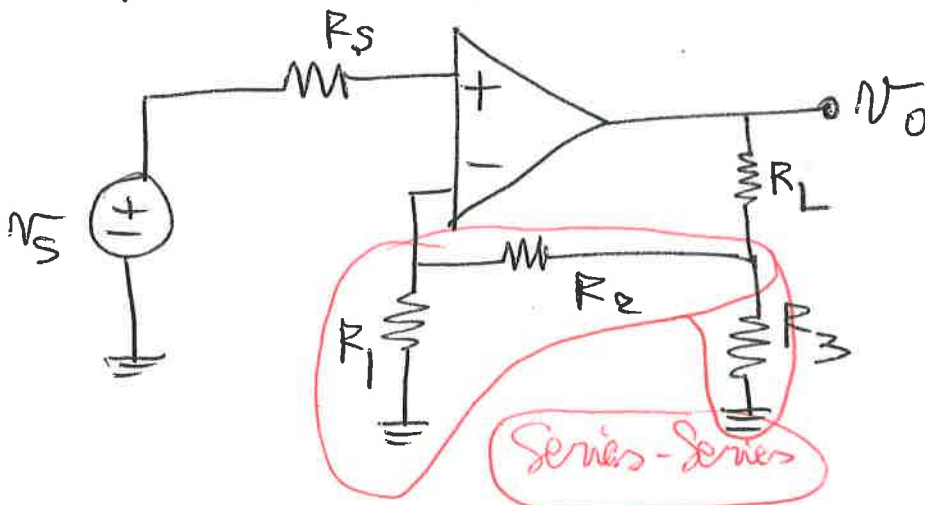
In the circuits below, identify the type of feedback used (series-shunt, series-series, shunt-series or shunt-shunt) and circle the feedback network.

① (10pts)



Shunt-Shunt

② (10pts)



Series-Series